

SLIDING DOOR DRIVE UNIT SL 35



The best combination for a polyvalent and reliable use.

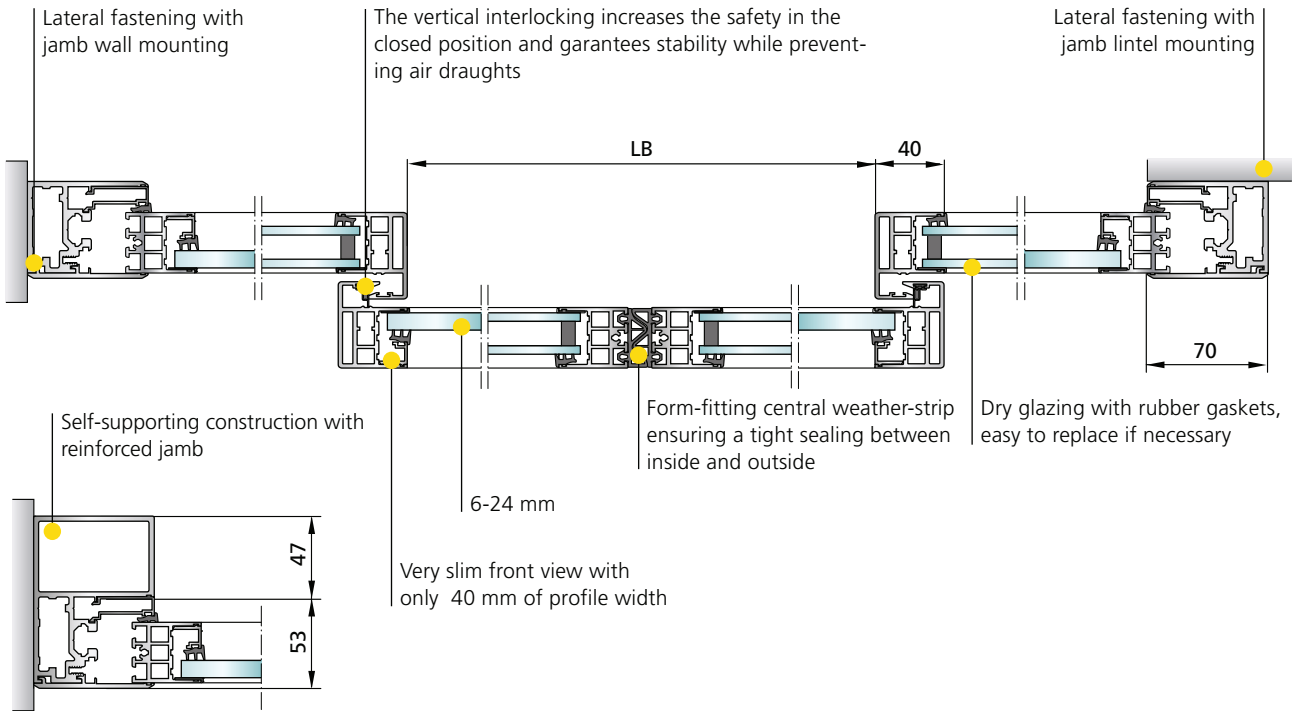
- Single-leaf and bi-parting sliding doors
- Two- and four-leaf telescopic sliding doors
- With side panel, glazed overhead panel and protection leaf
- Emergency-exit function (redundant configuration)
- Standard locking-system built into drive mechanism
- FLUVERI multi-point locking (invisibly integrated into door leaf) manual / automatic
- Floor lock
- Hook lock
- Full-length bottom rail with or without drainage
- Fixed point guide
- Can be attached to the door lintel or wall
- Self-supporting, with pillar reinforcement
- Vertical door leaf interlocking
- Burglar-resistant execution RC2 / RC3
- Certified overall system (EN 16361)
- TÜV approved and complies with the pertinent standards and requirements (e.g. EN 16005, DIN 18650)

Range of application

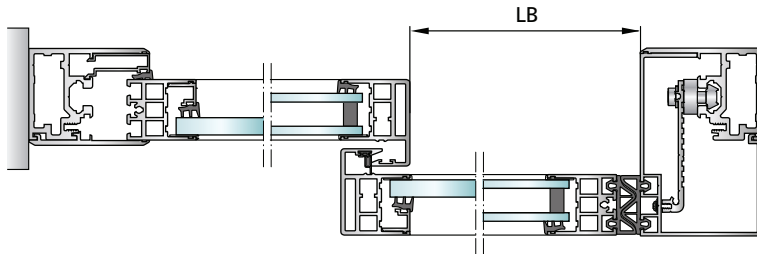
Sliding door	Clear width	Clear height	max. door leaf weight SL 35
Single-leaf	700 - 2000 mm (redundant 950 - 2000 mm)	up to 3000 mm	150 kg
Bi-parting	800 - 3000 mm (redundant 900 - 3000 mm)	up to 3000 mm	2 x 150 kg
Two-leaf telescopic	1100 - 3000 mm (redundant 1100 - 3000 mm)	up to 3000 mm	2 x 100 kg
Four-leaf telescopic	1200 - 4000 mm (redundant 1200 - 4000 mm)	up to 3000 mm	4 x 50 kg

Possible applications

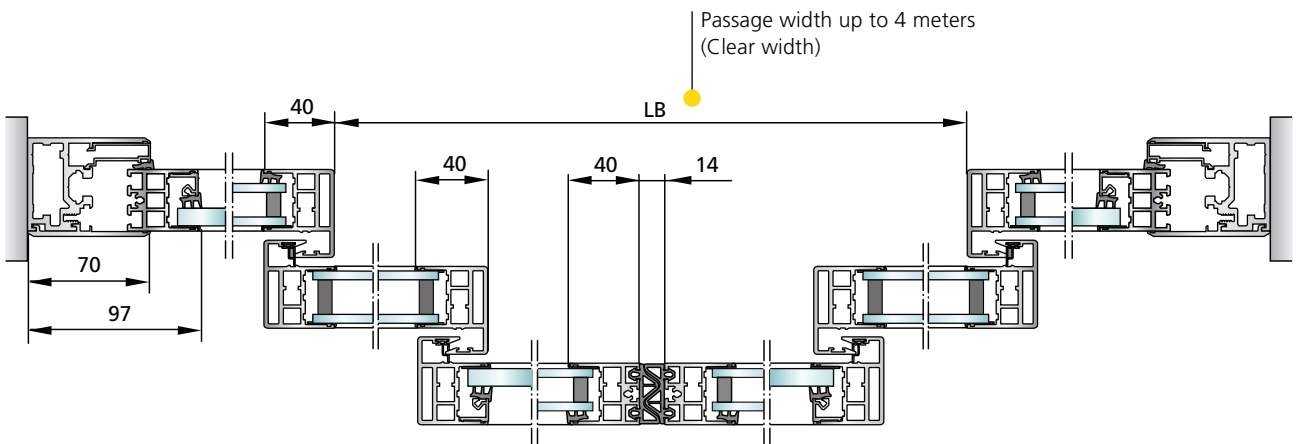
Bi-parting installation with side panels



Single door leaf installation with side panel

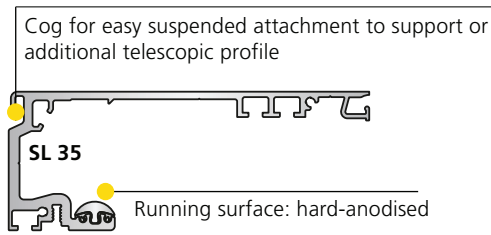


Four-leaf telescopic installation with side panels

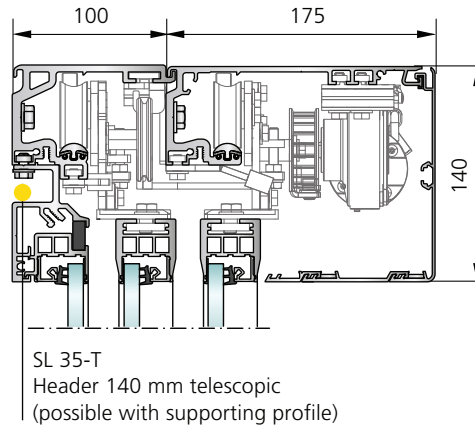
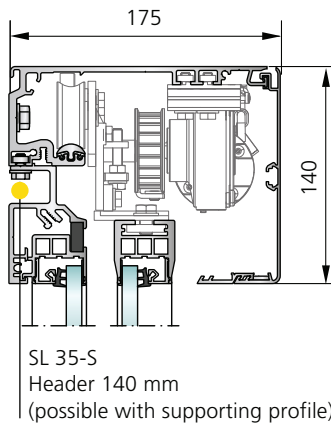


Compatibility of profile systems

The SL 35 drive system is compatible with our profile systems and fits with any design of metal structure.



SL35 Standard and Telescopic Header height of 140 mm



Tested according to product standard EN 16361



Air permeability*

- PPD 2



Wind resistance*

- PPD 600 B
- PPD 400 C



Watertightness*

- 5 A

* Depending on the size of the system and its configuration

Gilgen SL 35 – smart and timeless

Simple, reliable and functional - SL 35

- 150 kg per sliding door leaf (Telescopic 2x120 kg, 4x75kg)
- Clear width 3000 mm / clear height 3000 mm
- Mains supply 100-240 VAC (+10%/-15%) 50/60Hz
- Max. door leaf speed 0.8 m/s (adjustable)
- Redundant conforms to Performance Level „d“ in accordance with EN 13849-1



Low-noise design with optimised running carriage configuration

- Running carriage designed to match performance
- Damped carrying roller system for quiet operation
- Easy adjustment of counter-pressure roller
- Easy door leaf adjustment



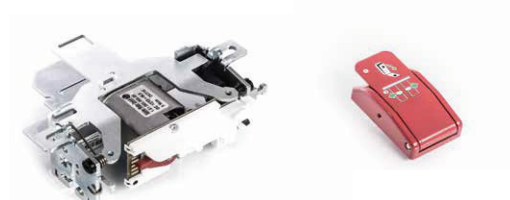
Automatic opening combines convenience with personal safety

- Integrated CAN-bus sensors guarantee maximum personal safety and reliable functioning of the door
- Compatible with sensors by others
- Emergency-exit function conforming to EN 16005 / DIN 18650



Safety and security – this future-oriented system offers security, while protecting property and preventing break-ins

- Overall solutions tested to EN 16005 standards, with emergency-exit (redundant)
- Break-in prevention functions (RC2 / RC3)
- Secure manual unlocking mechanism (inside and outside)



Control Panel – simple and intuitive

- Easy-to-use touchscreen display keeps operations to the essential minimum
- AUTOMATIC-OPEN-EXIT-NIGHT-MANUAL-reduced opening
- Information to the operating state

